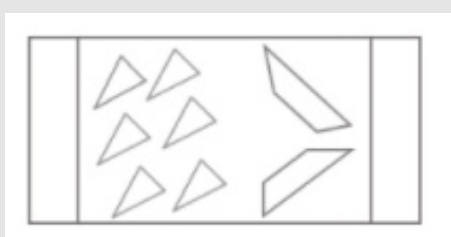


HOW TO MAKE A GINGERBREAD STAIRCASE

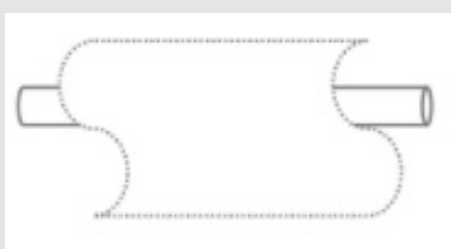


1 CUT PAPER TEMPLATE

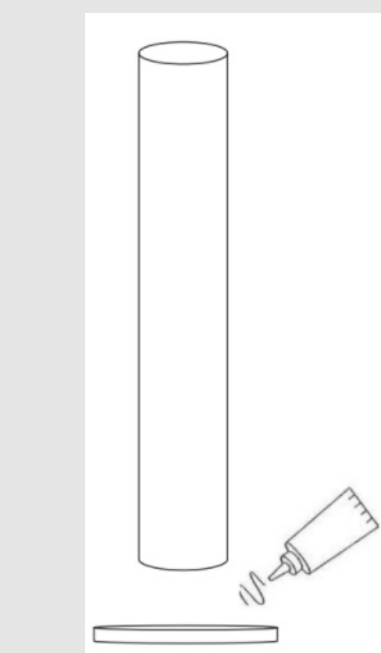
2 USE TEMPLATES TO CUT SHAPES IN GINGERBREAD DOUGH



3 BAKE YOUR SHAPES

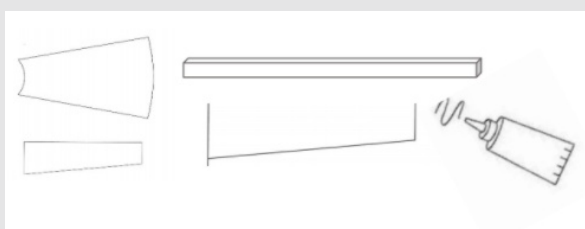


4 REMOVE YOUR CENTER POLE SHAPE A MINUTE OR TWO BEFORE DONE AND WHILE STILL WARM, WRAP THE SHAPE AROUND YOUR 1" DOWEL AND LET COOL



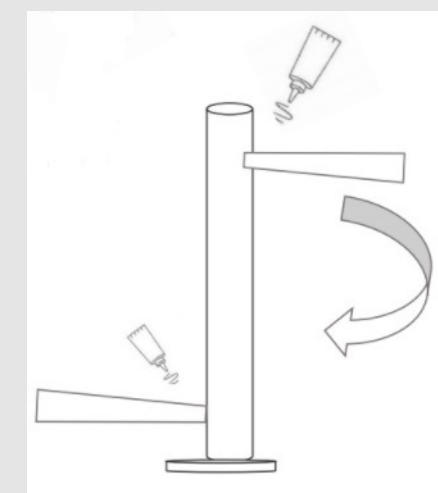
5 ONCE YOUR CENTER POLE, TREADS, AND GUSSETS ARE COOL, YOU ARE READY TO START BUILDING!

6 USE ROYAL ICING TO ATTACH CENTER POLE TO BASE PLATE



7 ASSEMBLE THE TREADS (YOU'LL NEED 11 TOTAL) USE ROYAL ICING TO GLUE THE GUSSET TO THE BOTTOM OF THE TREAD

8 NOW GLUE YOUR ASSEMBLED TREADS TO THE CENTER POLE, WORKING YOUR WAY AROUND IN A CLOCKWISE DIRECTION FROM TOP TO BOTTOM



9 YOU'VE BUILT YOUR STAIR, NOW IT'S TIME TO DECORATE!